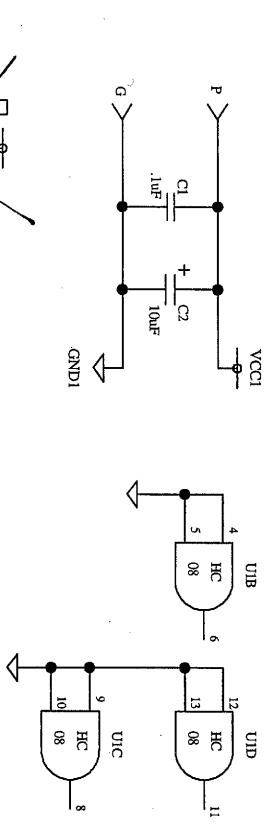
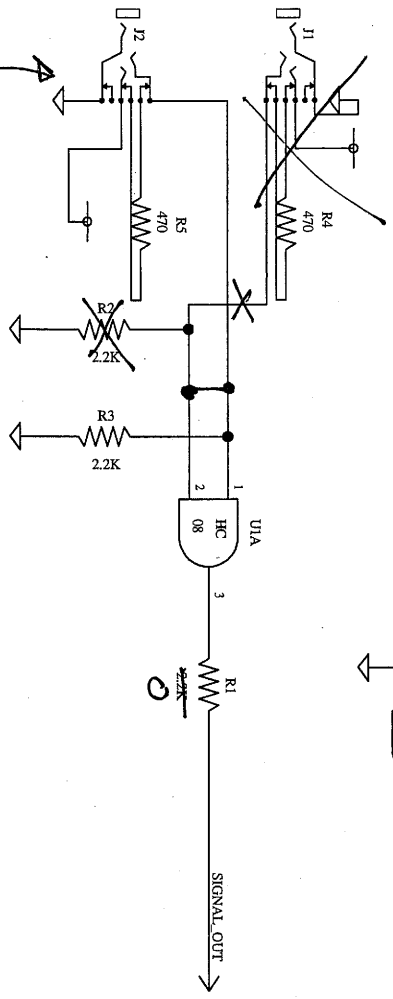


REVISIONS			
ZONE	REV.	DESCRIPTION	DATE
	2	Added R4, R5	10/10/97



SEE DIGITAL
PART PINOUT FOR
WIRE CONNECTIONS.



NOTE THAT SIMPLE
STEREO ~~SCHEMATIC~~ SHOULD WORK
JACK

TITLE		DUAL PHOTOGATE ADAPTER FOR CBL SCHEMATIC	
SIZE	DRAWN	DRAWING NUMBER	
A	JOHN WHEELER	CBL-2P	
SCALE	ENGR	DATE	SHEET
N/A	JOHN WHEELER	10 OCT 97	1 OF 1